

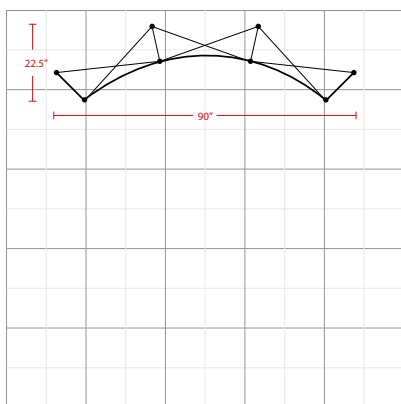
READY POP FABRIC POP UP DISPLAY 8FT CURVED



*Optional 200 watt halogen lights



*Package includes padded nylon travel bag



The box represents 10' x 10' booth.

Product Features

Our ultra lightweight aluminum alloy fabric pop-up display in a matte satin anodized finish is an ideal eye-catcher for your trade show, exhibition, or conference. Its versatility and simple 2-minute setup, as well as its Velcro attachment, makes it functional for special events as well as an in-office promotional tool for walk-in customers. Another convenient feature is that your graphic stays attached in your free travel/carry bag that comes with each frame you purchase.

Graphic Size	106.75"W x 88.75"H
Display Size	90"W x 89"H x 24"D

Finishing

2" loop Velcro perimeter

Printing Material	Fabric
-------------------	--------

Construction

Aluminum Frame

2" Hook Velcro Strips

Plastic Hooks

Weights - Dimensions

Shipping Weight	28lbs
Shipping Dimensions	41" x 18" x 17"

Parts List

(1) Aluminum Frame	(1) Padded Nylon Bag with drawstring
(1) Digital Print on Fabric w/ End Panels	(1) Wheel Frame for Carry Bag

Graphic Specification

Graphic Size: 106.75W " x 88.75H" (includes 11.81" end panels on both sides)

Graphic turnaround is 4 business days after the proofs are approved.