

WINGSPAN 10FT GRAPHIC PACKAGE



Graphic for Hard Case is optional.



Product Features

All packages include:

- (1) Extruded Aluminum Frame
- (7) 3 Section Channel Bars
- (2) Graphic End Panels
- (4) Graphic Center Panels
- (1) Medium Hard Case
- (2) Lights
- (1) Repair Kit

Case Outside Dimensions 22"W x 39"H x 17"D

Case Inside Dimensions 20.5"W x 32.5"H x 12"D

Graphic Finishing

Magnetic strips on the sides and hanging hardware on top and bottom

Material .020 PVC Panels

Construction

Frame Aluminum frame

Panels Magnetic strips and hooks on top

Bars Aluminum channel bars w/ magnetic strips

Medium Hard Case (1) Case - Black heavy duty blow molding technology construction
(2) Reliable built-in wheels
(2) Easy grip molded handles (top and side) for easy maneuvering

Weights - Dimensions

Shipping Weight 85 lbs

Shipping Dimensions 17"x17"x40"

Parts List

(1) Aluminum frame w/bag	(1)Key
(7) 3 Section channel bars	(4)Graphic center panels
(1) Medium Hard Case	(2)Graphic end panels
(2) Lights	(1) Repair Kit

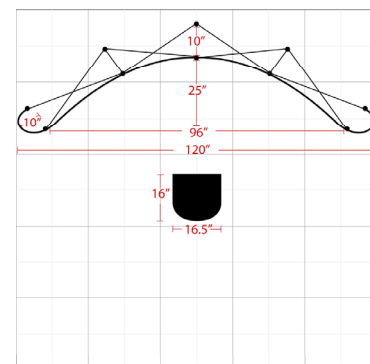
Graphic Specification

Graphic Size: 141.5"w x 88.98"h

Graphic Turnaround Time

Standard: 4 Business Days

2-Day Rush: 2 Business Days: Additional Charge



The box represents 10'x10' booth.

WINGSPAN 8FT GRAPHIC PACKAGE



Graphic for Hard Case is optional.



Product Features

All packages include:

- (1) Extruded Aluminum Frame
- (5) 3 Section Channel Bars
- (2) Graphic End Panels
- (4) Graphic Center Panels
- (1) Medium Hard Case
- (2) Lights
- (1) Repair Kit

Case Outside Dimensions 22"W x 39"H x 17"D

Case Inside Dimensions 20.5"W x 32.5"H x 12"D

Graphic Finishing

Magnetic strips on the sides and hanging hardware on top and bottom

Material .020 PVC Panels

Construction

Frame Aluminum frame

Panels Magnetic strips and hooks on top

Bars Aluminum channel bars w/ magnetic strips

Medium Hard Case (1) Case - Black heavy duty blow molding technology construction
(2) Reliable built-in wheels
(2) Easy grip molded handles (top and side) for easy maneuvering

Weights - Dimensions

Shipping Weight 85 lbs

Shipping Dimensions 17"x17"x40"

Parts List

(1) Aluminum frame w/bag	(1)Key
(5) 3 Section channel bars	(3)Graphic center panels
(1) Medium Hard Case	(2)Graphic end panels
(2)Lights	(1) Repair Kit

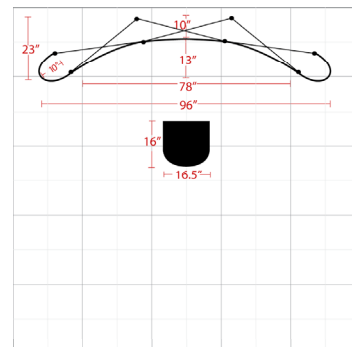
Graphic Specification

Graphic Size: 133.67"w x 90.16"h

Graphic Turnaround Time

Standard: 4 Business Days

2-Day Rush: 2 Business Days: Additional Charge



The box represents 10'x10' booth.